

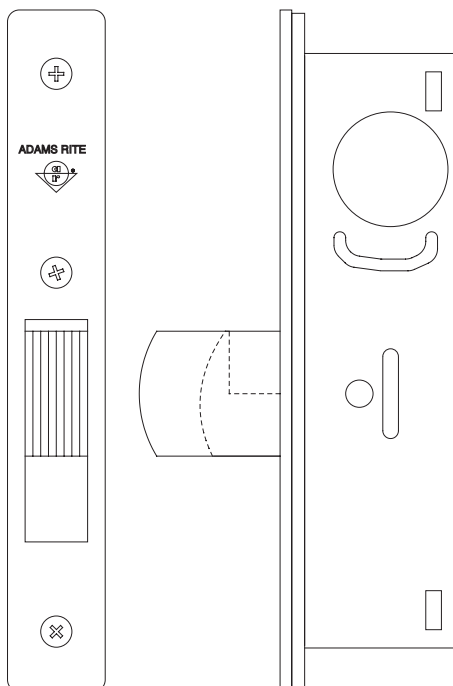
MS®1850S

maximum security deadlock

function



MS®1850S Deadlock: Available in both hook and barbolt versions, the MS®1850S provides Maximum Security deadlocking for both aluminium swinging and sliding door applications. The stainless steel bolt with alumina-ceramic core ensures positive locking into jamb or opposite leaf and offers high security against cutting and jamb peeling. Accepts any standard mortice cylinder or thumbturn (with MS® cam). To ensure Maximum Security it is recommended that the MS® 4002 Series Armoured Strikes and MS®4043 Cylinder Guards are specified in conjunction with the lockcase. Interchangeable without stile modification with 4710 Deadlatch. Addition of 4015 Threshold Bolt produces two point locking whilst further addition of 4085 Header Bolt produces three point locking in pairs of doors.

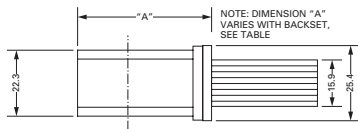


- **Overall Case Size:** 173mm x 25.4mm x 39.9mm - 22.2mm Backset (7/8")
173mm x 25.4mm x 41.4mm - 24.6mm Backset (31/32")
173mm x 25.4mm x 45.2mm - 28.6mm Backset (1 1/8")
173mm x 25.4mm x 57.1mm - 38.1mm Backset (1 1/2").
- **Case:** Steel with corrosion-resistant plating.
For high corrosion environment a stainless steel version is available (MS®1950).
- **Backset:** 22.2mm, 24.6mm, 28.6mm, 38.1mm.
- **Lock Bolt:** 75mm x 15.9mm. 8 Ply Laminated Steel with patented Alumina-Ceramic Anti-Saw Core.
- **Bolt Throw:** 34.9mm (Barbolt), 20.6mm (Hookbolt).
- **Mechanism:** Carbon Steel Actuating Mechanism.
- **Cylinder:** Any standard 29.4mm (1 5/32") Mortice Cylinder or Thumbturn with MS® cam.
- **Operation:** 360° turn of key or thumbturn. Key only removable when bolt is positively locked or unlocked.
- **Door Type:** Aluminium only. (See MS®1850SNSI for Steel & Timber)
- **Door Gap:** Maximum 3mm.
- **Two Point Locking:** Specify 4015 Threshold Bolt.
- **Monitoring Facility:** Optional via Microswitch within case.
- **Forend:** Steel, with aluminium faceplate.

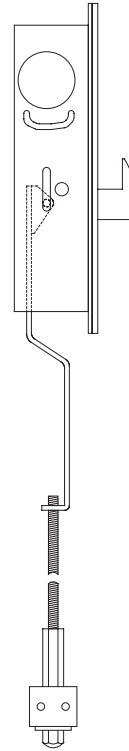
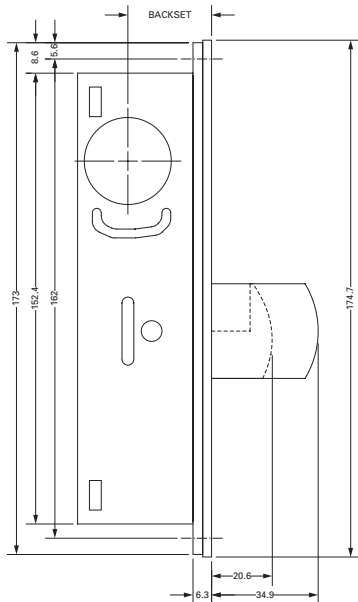
➤➤➤➤ Please see overleaf for DIMENSIONS and ORDERING



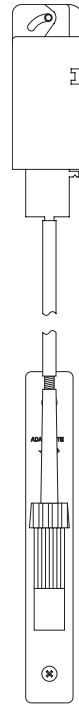
dimensions



Backset	Dimension "A"
22.2mm (7/8")	39.9mm (1.57")
24.6mm (31/32")	41.4mm (1.63")
28.6mm (1 1/8")	45.2mm (1.78")
38.1mm (1 1/2")	57.1mm (2.25")



Optional **4015-18**
Threshold Bolt.



Optional **4085-01**
Header Bolt.

ordering

LOCK BODIES

- 1850-110.....22.2mm (7/8") Backset Barbolt Deadlock
- 1850-15022.2mm (7/8") Backset Hookbolt Deadlock
- 1850-21024.6mm (31/32") Backset Barbolt Deadlock
- 1850-25024.6mm (31/32") Backset Hookbolt Deadlock
- 1850-31028.6mm (1 1/8") Backset Barbolt Deadlock
- 1850-35028.6mm (1 1/8") Backset Hookbolt Deadlock
- 1850-41038.1mm (1 1/2") Backset Barbolt Deadlock
- 1850-45038.1mm (1 1/2") Backset Hookbolt Deadlock

NOTE: The above locks are also available with Microswitch Monitoring; add '02' to end of code, e.g. 1850-150-02. Cylinders, thumbturns and faceplates not supplied as standard; order separately.

FACEPLATES

- 24-1850-Q10-628MS@1850 Faceplate Flat Bar Lock SAA Finish
- 24-1850-Q50-628MS@1850 Faceplate Flat Hook Lock SAA Finish

NOTES: To specify alternative faceplate type, replace 'Q' with '1' for Radius, '2' for Left Hand Bevel, '3' for Right Hand Bevel or '4' for Radius Weatherstrip. 628 denotes Satin Anodised Finish-substitute 628 with 313 for Bronze, or 335 for Black.

related hardware

- 4104 Mounting Bridges
- Round Mortice Cylinders
- MS@4043 Cylinder Guard

- Round Thumbturns
- MS@ 4000 Armoured Parts
- 4015 Threshold Bolt